

Contrivance Management using Arduino and Motion Detector

G.Vikram Assistant Professor

Dept. of Electronics & Communication Engineering
St.Martins Engineering College
Hyderabad, Telangana
Vikramece@smec.ac.in

M.Narendra Prasad Assistant Professor

Dept. of Electronics & Communication Engineering
St.Martins Engineering College
Hyderabad, Telangana
narendraprasadece@smec.ac.in

Abstract - Gadget Control Framework utilizing Arduino and PIR (Inactive Infrared) Sensor can be utilized to turn ON and OFF the lighting framework of domestic naturally or any other framework by identifying the nearness of human. This framework can be utilized in carpports, classrooms, staircases, lavatories, etc. where there's no require of nonstop light but only when there's a human. Moreover, there's no have to be stress approximately power bills as the lights get OFF when there's no human and thus one got to pay the bills as per utilize. This paper proposed as almost programmed contraption control framework which consequently controls the room lights utilizing Arduino and PIR sensor. The most components utilized in this framework are Arduino Uno, PIR sensor and Hand-off Module. Out of these components, the operation of framework primarily depends on PIR sensor which makes a difference in recognizing human nearness.

Keywords- Arduino Uno, PIR Sensor, Relay.

I. INTRODUCTION

These days without power we cannot envision our everyday life since power has gotten to be a need for all, without which day-to-day life chores & every day exercises gotten to be stand still. Due to the exhaustion of non-renewable resources, conservation of required and by doing so we are able decrease power bills as well. We know that energies like wind vitality, sun based vitality and hydro vitality are called renewable energy sources which are renewable in nature. In this manner, utilization of these assets for power supply is the most excellent conceivable way of creating, preserving and recharging vitality, which is profitable because it is contamination free, reasonable, and free from natural impacts. Logical innovations have made this world worth living. They have given us comforts and extravagances. Innovation has ended up an imperative and essential portion of our lives. In final little a long time, there's colossal progression in innovation. So, human life gets to be more subordinate on these advances. The innovation of power is one of the most noteworthy of all its developments. Power has ended up an irreplaceable portion of human life. Power is considered as the soul or the life without which the whole world remains dead and dormant. To supply more consolation to human there's a innovation called as Domestic Mechanization. . When there is control of all household amenities and appliances together with the use of technology then it is termed as Home Automation. As non-renewable sources are decreasing day by day, there is

need of conservation of energy. Electricity is the most important to all the activities of the modern society. The focus of the project is wise use of non-renewable energy sources.

II. LITERATURE SURVEY

G. Bhaskar Phani Ram, L. Rajeshwari [2019] proposed domestic safety using IoT. When sensor high intruder is detected. It invokes the raspberry pi digital camera is capturing the photos of the person entered the house. It triggers the alarm and capture photographs may be sent to user mail. The seize photos are stored in database additionally.

Zhengjie Wang [2010] defined the paper Research on motion detection of Video Surveillance System is a motion detection system is put forward and an implementation is given. Using DirectDraw technology, the system can fresh the display and give an alarm signal when motion is detected. After testing for a longtime, the software meets the need on motion detection.

Kinjal A Joshi, Darshak G. Thakore [2012] proposed A Survey on Moving Object Detection and Tracking in Video Surveillance System focuses on detection of moving objects in video surveillance system then tracking the detected objects in the scene. Moving Object detection is first low level important task for any video surveillance application. Detection of moving object is a challenging task. Tracking is required in higher level applications that

require the location and shape of object in every frame. In this survey, It described Background subtraction with alpha, statistical method, Eigen background Subtraction and Temporal frame differencing to detect moving object and also described tracking method based on point tracking, kernel tracking and silhouette tracking.

III. PROPOSED METHOD

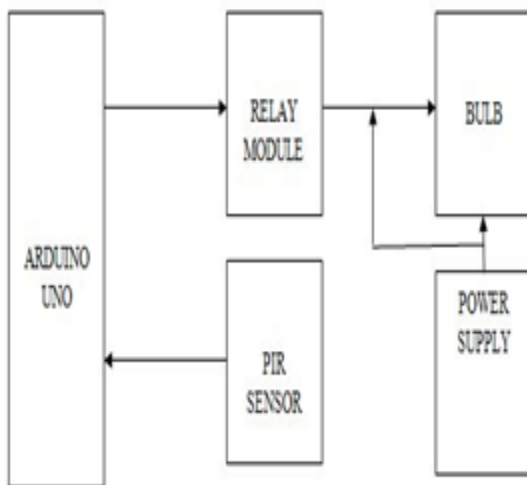


Fig.1. Block diagram of proposed system.

Contrivance Management Using Arduino and Motion Detector

The Fig 1 is the general setup of the projected diagram. This is device control by energy saving using motion detector system.

The block drawing of the scheme is consisting of Arduino UNO interface with PIR sensor, relay driver circuits with Electric bulb.

The Arduino Uno is interactive with relay driver circuits. The relay circuits connected to Electric bulb. Output pin of PIR sensor is connected to Digital PWM Pin of Arduino Uno and Relay connected to Digital I/O Pin that may connected to Electric bulb. We have placed our equipment at the entrance or middle of the room. When person entered into the room and crosses the aperture area of PIR Sensor, then PIR Sensor will sends output signal to Arduino Uno. Then Arduno will send the logic signal to relay to turn ON which in turns turn ON the electric bulb. When Person or any moving object went out of the Room, then PIR sensor doesn't recognize any object in their aperture area that is to send to Arduino Uno which will be sent the logic signal to relay to turn OFF the electric bulb. In this way electric power is saved for the future generations without involvement of human beings, Electric power is saved automatically which is main intention of this project.

IV. EXPERIMENT RESULTS

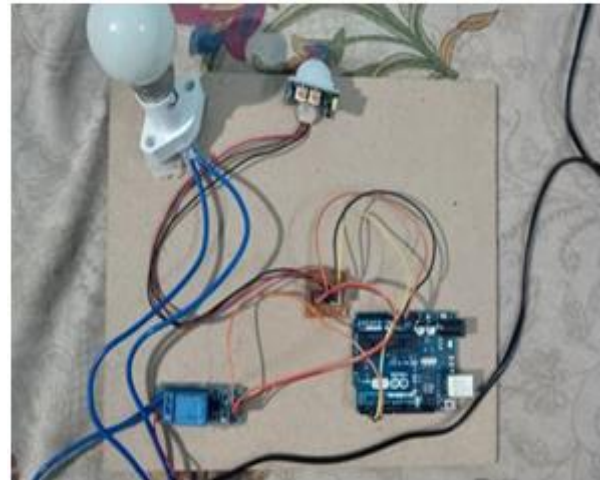


Fig.2. Project setup.

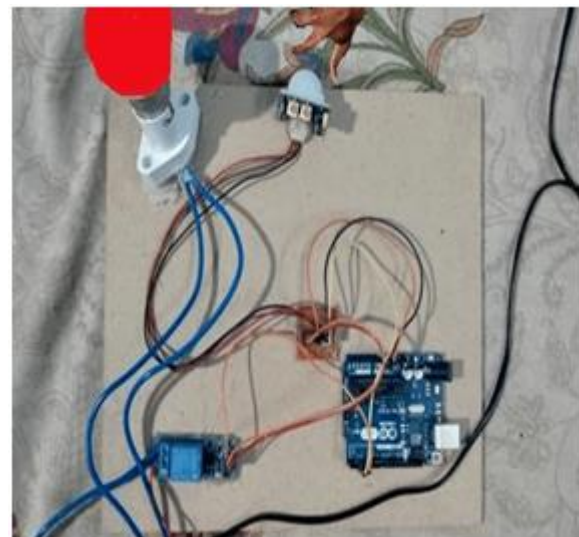


Fig.3. Bulb turns ON When object entered across PIR Sensor.



Fig.4. Bulb turns OFF When object leaves out of the room.

Table-I: PIR sensor values (a>500).

PIR Values	Status of Detection
513	Detected
500	Not detected
509	Detected
521	Detected
500	Not detected

V. CONCLUSION

In this paper, I have developed system of energy management and saving using PIR Sensor. There is no need of a person should be in the room to turn ON and to turn OFF the power supply when persons entered or leaved out of the area. More power can be saved with less effort. The Arduino module is associated with the PIR sensor which captures the movable objects. This paper deal with people faced electric power troubles in day-to-day life. This system is easily operated, low consumption and low cost. In this future develops a more efficient system and reducing more complexity with innovative technologies.

REFERENCE

- [1]. P.Eben Sophia, Prithvirajan.R, Thirunavukarasu.S, Muthuraj.K, S. Sarmila, Karpagam College of Engineering, Coimbatore-641032 PIR and IR Sensor Based Smart Home Automation System Using IOT for Energy Saving Applications International Journal of Innovative Technology and Exploring Engineering (IJITEE) ISSN: 2278-3075, Volume-8 Issue-8S, June 2019.
- [2]. Abhishek N Vaghela, Bhavin D Gajjar, Subhash J Patel Assistant Professor, Indus University, Ahmedabad, India, Automatic Switch using PIR Sensor, IJEDR | Volume 5, Issue 1 | ISSN: 2321-9939.
- [3]. Chandrakant Bhadranna Department of P.G Studies and Research in Computer Science Gulbarga University, Kalaburagi, Karnataka, India cbmodi9@gmail.com GSM Based Computer Lab Security System Using PIR Sensors ,IJCSMC, Vol. 6, Issue. 12, December 2017
- [4]. Yogesh Pawar, Abhay Chopde, Mandar Nandre, Department of Electronics Engineering, Vishwakarma Institute of Technology, Pune, Motion Detection Using PIR Sensor, International Research Journal of Engineering and Technology (IRJET) e-ISSN: 2395-0056 Volume: 05 Issue: 04 | Apr-2018 p-ISSN: 2395-0072
- [5]. Saravana Kumar K , Priscilla P, Germiya K Jose , Balagopal G Human Detection Robot using PIR Sensors, International Journal of Science, Engineering and Technology Research (IJSETR) Volume 4, Issue 3, March 2015 ISSN: 2278 – 7798
- [6]. Nico Surantha, Wingky R. Wicaksono, Design of Smart Home Security System using Object Recognition and PIR Sensor, Computer Science Department, BINUS Graduate Program - Master of Computer Science, Bina Nusantara University, Jl kebon Jeruk Raya No 27, Jakarta 11480, Indonesia, 3rd International Conference on Computer Science and Computational Intelligence 2018, Procedia Computer Science 135 (2018) 465–472.
- [7]. Munawir, Ahmad Ihsan , Eka Mutia, Department of Informatics Engineering, Universitas Samudra, Kota Langsa, Aceh , 24416, Indonesia, Department of Civil Engineering, Universitas Samudra, Kota Langsa, Aceh, 24416 Indonesia, Wi-Fi and GSM Based Motion Detection in Smart Home Security System, IOP Conf. Series: Materials Science and Engineering 536 (2019) 012143 IOP Publishing doi:10.1088/1757-899X/536/1/012143
- [8]. Husni Teja Sukmana ; Muhammad Ghiyast Farisi ; Dewi Khairan, Prototype utilization of PIR motion sensor for real time surveillance system and web-enabled lamp automation, 2015 IEEE Asia Pacific Conference on Wireless and Mobile (APWiMob)
- [9]. A. Sanchez, R. Tercero, "Smart Home Technologies: Uses and Abuses", IEEE proceeding of Artificial Intelligence (MICAI), pp. 97-102, 2010.
- [10]. V. Georgitzikis, O. Chatzigiannakis, "Controlling Physical Objects via the Internet using the Arduino Platform over 802.15.4 Networks", IEEE proceeding of Latin America Transactions IEEE (Revista IEEE America Latina), vol. 10, no. 3.